

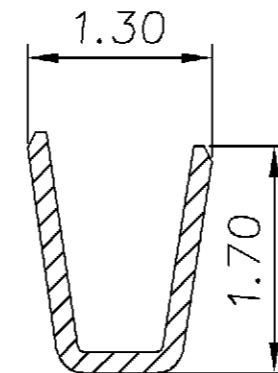
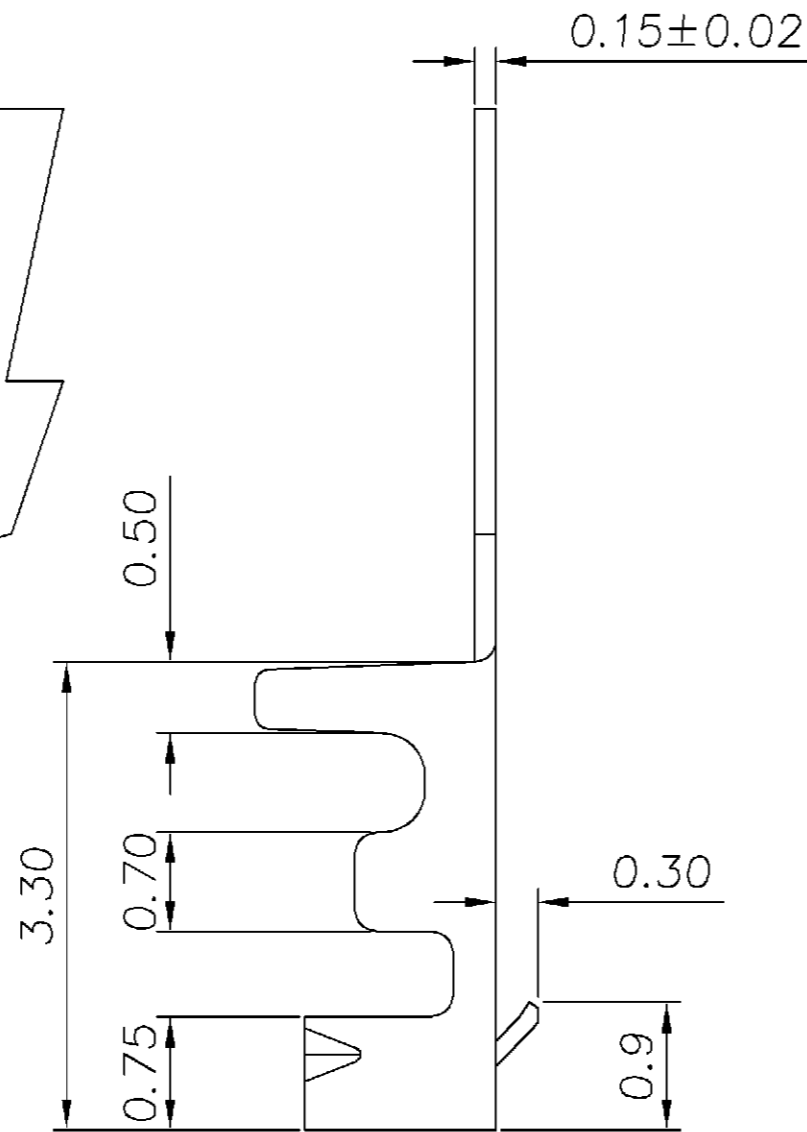
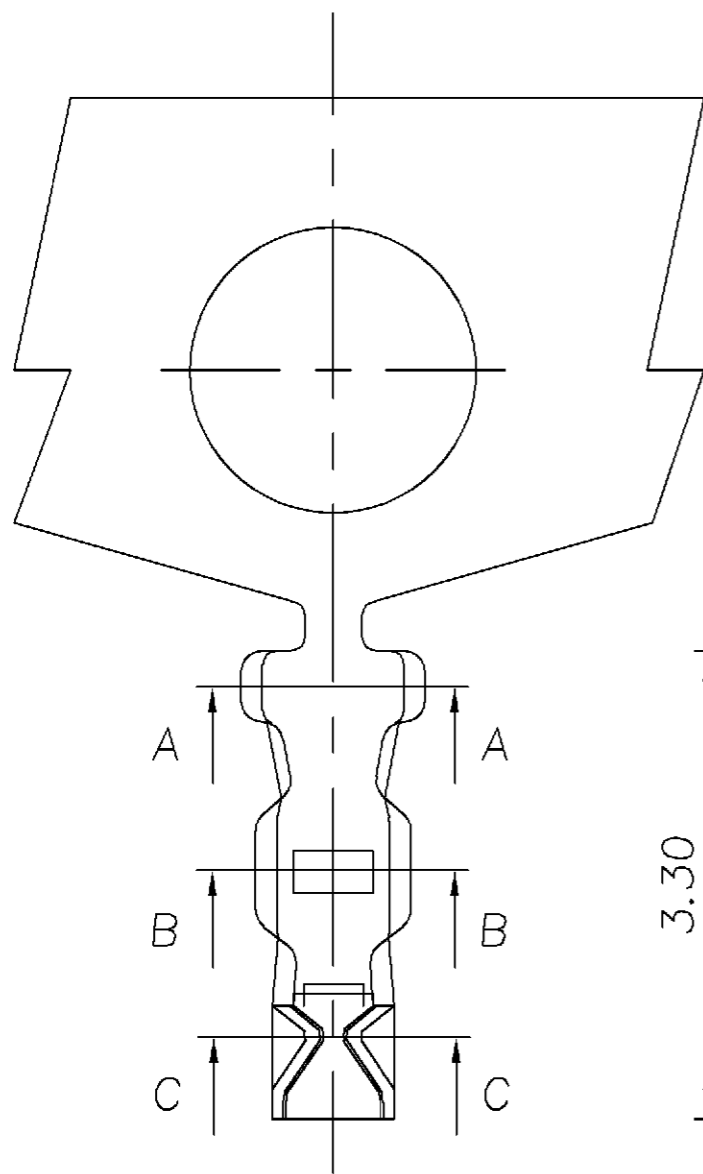
THIS INFORMATION IS CONFIDENTIAL AND IS DISCLOSED TO YOU ON CONDITION THAT NO FURTHER DISCLOSURE IS MADE BY YOU TO OTHER THAN AMP PERSONNEL WITHOUT WRITTEN AUTHORIZATION FROM AMP (TAIWAN) LTD. DIMENSIONS IN MILLIMETERS. DO NOT SCALE PRINT.

PRINT DIST  
DW

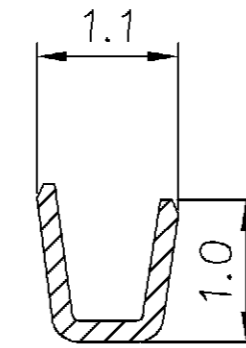
METRIC



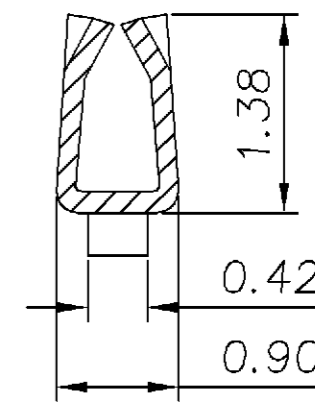
NUMBER  
C-1734193



SEC A-A



SEC B-B



SEC C-C

NOTE:

- MATERIAL:  
TERMINAL: PHOSPHOR BRONZE, THICKNESS=0.2mm.
- FINISH:  
TERMINAL: 2.0um MIN. TIN(MATTE) PLATE OVER 0.75um MIN. NICKEL UNDERPLATE OVER ALL.
- APPLY HOUSING PART NO: X-440146-X.
- APPLICATION SPECIFICATION: 114-57016.
- APPLICABLE WIRE RANGE: AWG #28-#32.

1734193-1

PART NUMBER

TOLERANCES UNLESS OTHERWISE SPECIFIED: 0 PLC ± 1 PLC ±0.15 2 PLC ±0.10 3 PLC ±0.05 ANGLES ±3'	DWN	O. HU	TYCO HOLDINGS (BERMUDA) VII LTD. TAIWAN BRANCH			
		05-JUL-2004				
MATERIAL  SEE NOTE	CHK	S. HOU	NAME  WIRE TO BOARD SOCKET, TERMINAL			
		05-JUL-2004				
FINISH  SEE NOTE	APVD	T. KE	PRODUCT SPEC 108-57225			
		05-JUL-2004				
	QUALIFICATION TEST REPORT	501-57229	LOC DW	SIZE A <sub>3</sub>	DRAWING NO C-1734193	REV 0
	WEIGHT		SCALE	--	SHEET	1 OF 2

O	FIRST RELEASE	FZ00-0148-04	OH SH	09JULY 2004
LTR	REVISION RECORD	ECN	DWN CHK	DATE

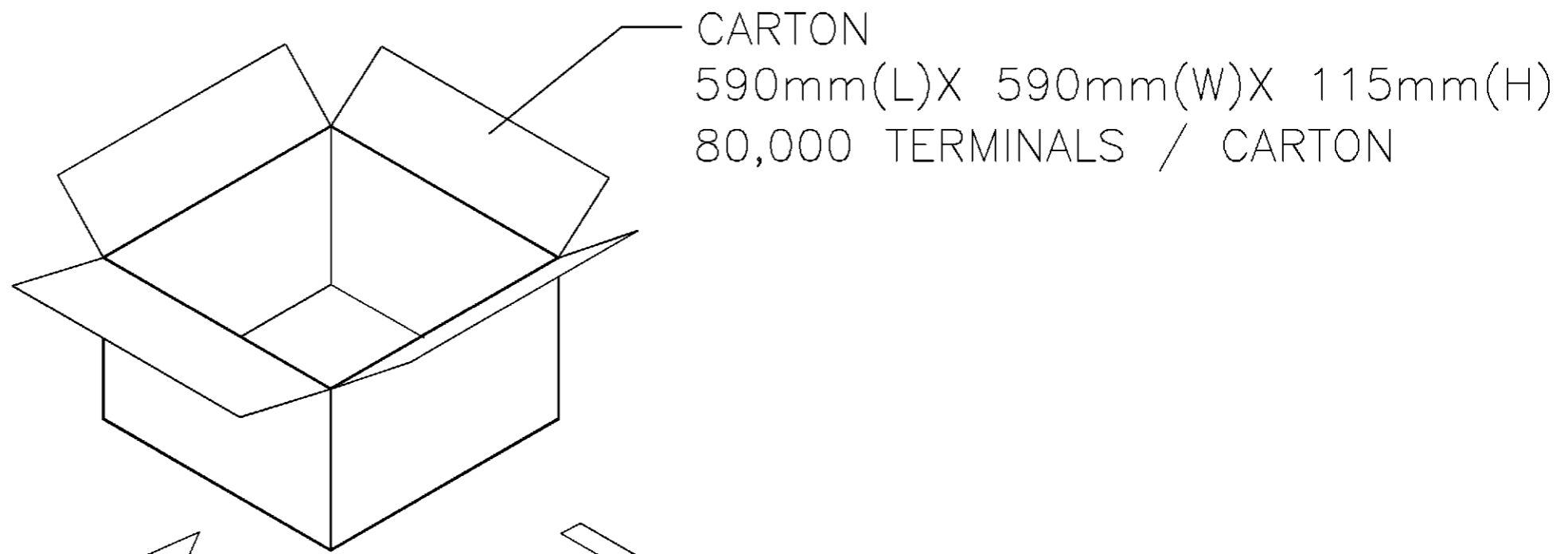
NUMBER  
C-1734193



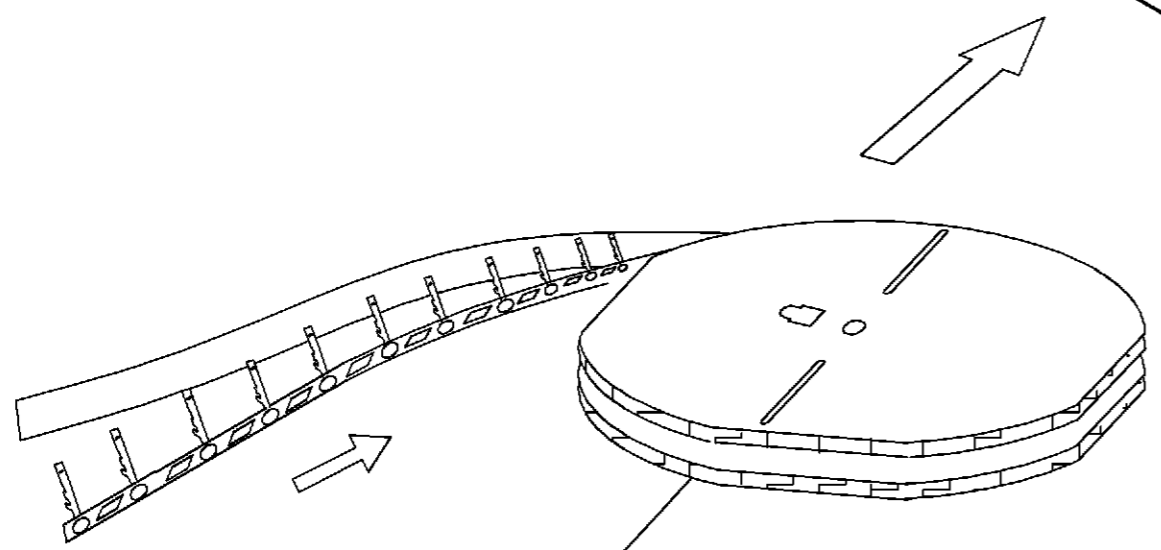
METRIC

THIS INFORMATION IS CONFIDENTIAL AND IS DISCLOSED TO YOU ON CONDITION THAT NO FURTHER DISCLOSURE IS MADE BY YOU TO OTHER THAN AMP PERSONNEL WITHOUT WRITTEN AUTHORIZATION FROM AMP (TAIWAN) LTD. DIMENSIONS IN MILLIMETERS. DO NOT SCALE PRINT.

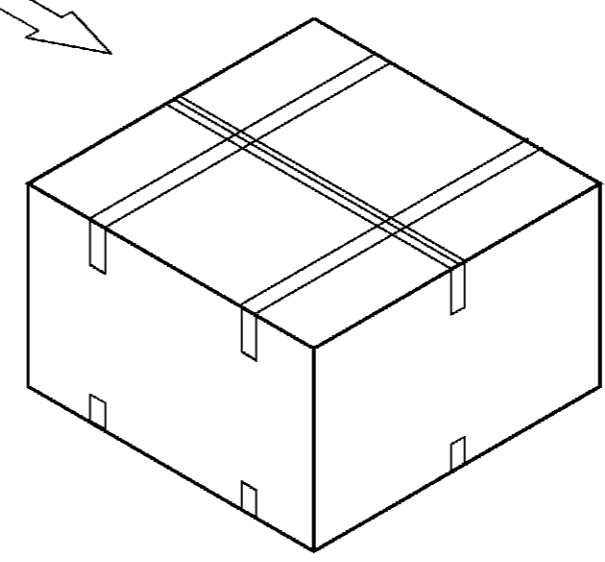
PRINT  
DW



CARTON  
590mm(L)X 590mm(W)X 115mm(H)  
80,000 TERMINALS / CARTON



REEL  
DIAMETER:  $\phi$ 580mm.  
20,000 TERMINALS / REEL



TOLERANCES UNLESS OTHERWISE SPECIFIED:		DWN	O. HU	<b>tyco</b> TYCO HOLDINGS (BERMUDA)	
0 PLC	±		05-JUL-2004	<b>Electronics</b> VII LTD. TAIWAN BRANCH	
1 PLC	±0.15	CHK	S. HOU	NAME	
2 PLC	±0.10		05-JUL-2004	WIRE TO BOARD SOCKET, TERMINAL	
3 PLC	±0.05	MATERIAL	APVD	T. KE	
ANGLES	±3'	SEE NOTE		05-JUL-2004	
		FINISH	QUALIFICATION TEST REPORT	LOC	SIZE
		SEE NOTE	WEIGHT	DW	A <sub>3</sub>
				DRAWING NO	REV
				C-1734193	0
				SCALE	SHEET
				--	2 OF 2

SEE SHEET 1.	ECN	DWN	CHK	DATE
LTR	REVISION RECORD			